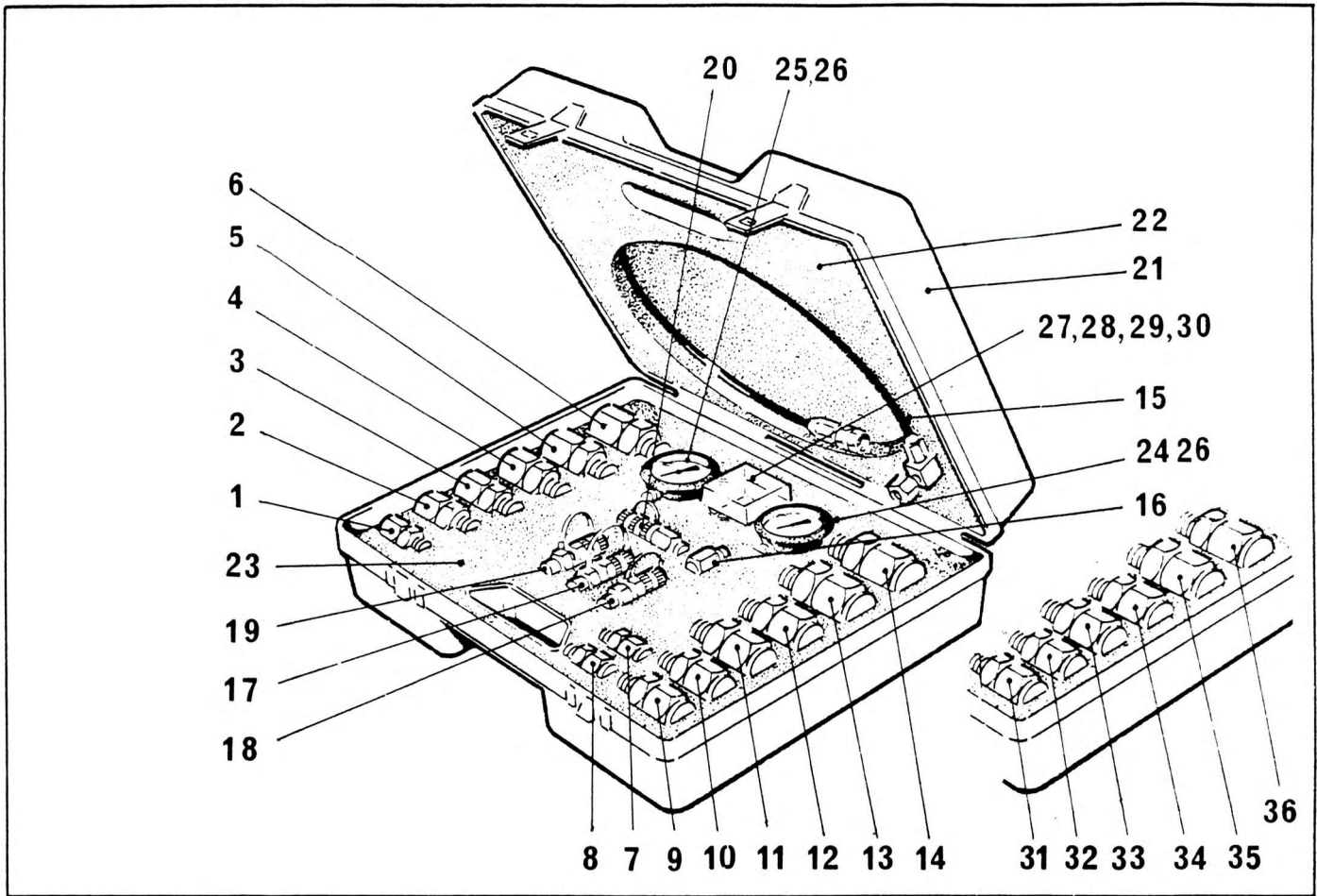


PRESSURE TEST KIT



NO.	PART NO.	QTY.	DESCRIPTION	NO.	PART NO.	QTY.	DESCRIPTION
-	8784328/A	1	Pressure Test Kit Complete	19	8963337	1	Tip Plug 1/8" BSP
1	8985810	1	Hose Coupling 1/4" BSP	20	8985807	1	Hose Probe Assembly
2	8985812	1	Hose Coupling 3/8" BSP	21	9-176-990019	1	Case (Plastic)
3	8985799	1	Hose Coupling 1/2" BSP	22	9-176-990020	1	Foam (Lid)
4	8985800	1	Hose Coupling 3/4" BSP	23	9-176-990021	1	Foam (Base)
5	8985801	1	Hose Coupling 1" BSP	24	8985803	1	Gauge 0-40 bar
6	8985802	1	Hose Coupling 1 1/4" BSP	25	8985806	1	Gauge 0-275 bar
7	9-013-990002	1	Hose Coupling 9/16" Jic	26	8985804	2	Cover (Rubber)
8	9-013-990003	1	Hose Coupling 9/16" Jic	27	7355103	1	Seal Bonded 1/8" BSP
9	9-013-990004	1	Hose Coupling 3/4" Jic	28	7355101	1	Seal Bonded 1/4" BSP
10	9-013-990005	1	Hose Coupling 1/2" Jic	29	7355204	1	Seal Bonded 3/8" BSP
11	9-013-990006	1	Hose Coupling 1 1/16" Jic	30	9-176-990022	1	Plastic Box
12	9-013-990007	1	Hose Coupling 1 5/16" Jic				The following items are used for cranes with ORFS fittings and are not part of the test kit. They are to be purchased separately.
13	9-013-990008	1	Hose Coupling 1 3/8" Jic	31	8747892	1	Hose Coupling 1/4" ORFS
14	9-013-990009	1	Hose Coupling 1 1/2" Jic	32	8747893	1	Hose Coupling 3/8" ORFS
15	8985809	1	Hose with Elbows	33	8747894	1	Hose Coupling 1/2" ORFS
16	8985808	1	Coupling - Gauge	34	8747896	1	Hose Coupling 3/4" ORFS
17	8891527	1	Tip Plug 1/4" BSP	35	8747897	1	Hose Coupling 1" ORFS
18	8380155	1	Tip Plug 3/8" BSP	36	8747898	1	Hose Coupling 1 1/4" ORFS